

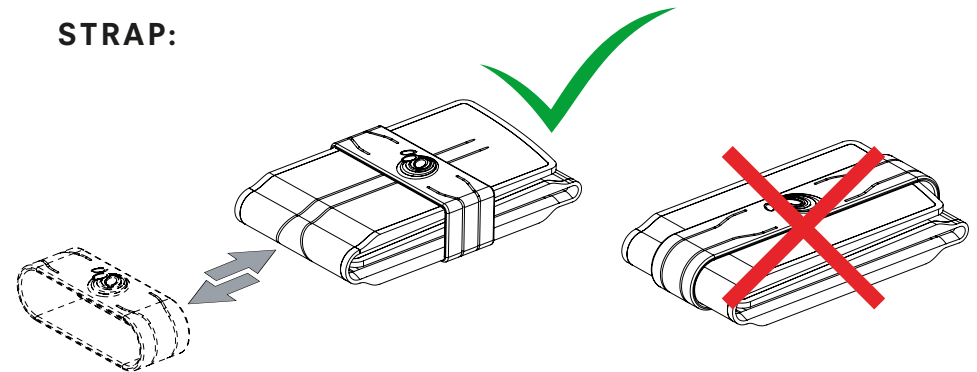
Softpad Bat - QUICK SETUP GUIDE

one2TOUCH
TOUCH & TYPE

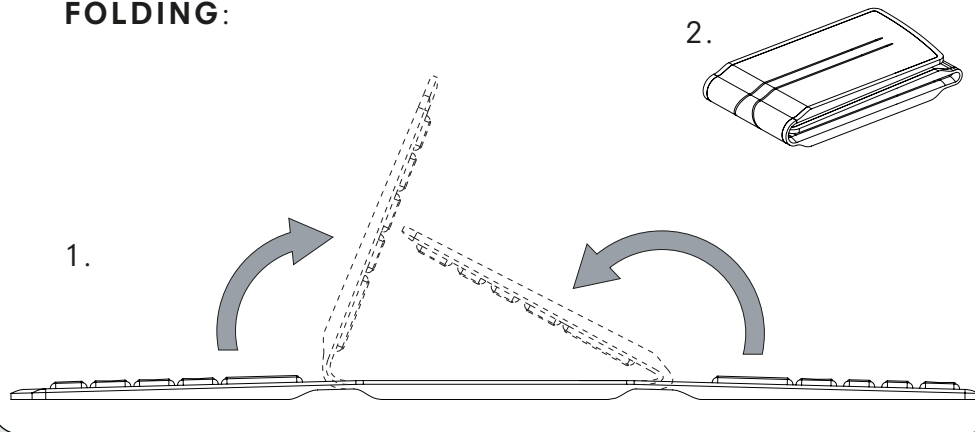
SMARTPHONE SETUP:

1. Enable NFC in your smartphone settings
2. Place your phone on the NFC tag to download driver from Google Play
3. Place your phone on the NFC keyboard and follow the onscreen instructions to enable the one2TOUCH keyboard

STRAP:



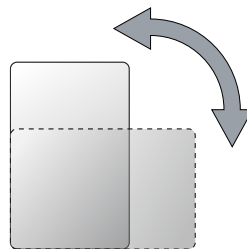
FOLDING:



SCREEN TOGGLE:

Toggle between landscape and portrait:

Fn + S



BATTERY CHANGE:

STEP-BY-STEP:

1. Pull out the battery drawer
2. Remove old batteries
3. Insert new CR2025 batteries
4. Re-insert battery drawer

